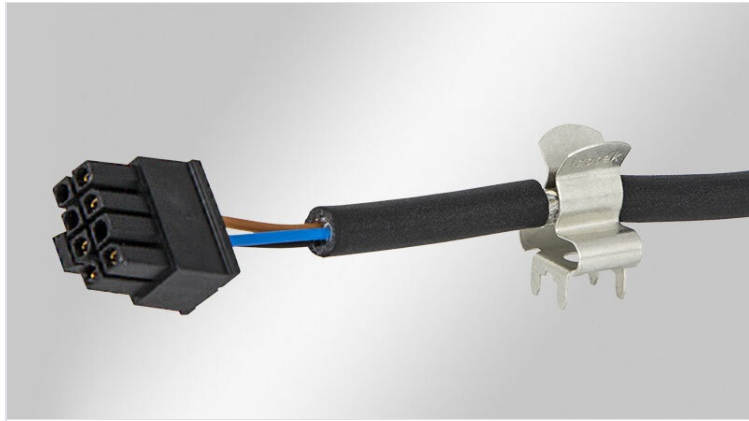


EMC shield clamps for printed circuit boards

with soldering foot



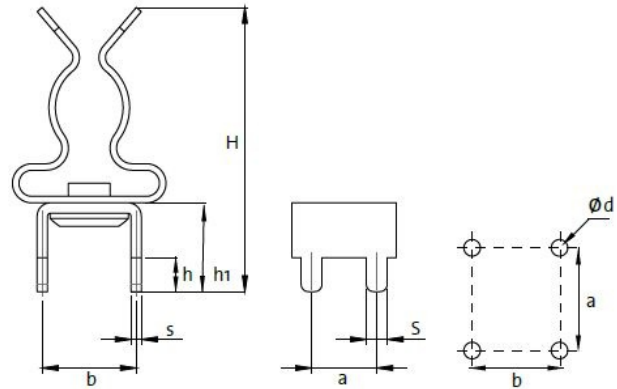
RoHS compliant



Made in Germany

EMC shield clamps are used, where the shield of cables must be connected to the earth potential. They are easy to use and effective in earthing single cable shields.

PCB|SKL consist of SKL clamps, fixed on a soldering foot that enables assembly on printed circuit boards. There are various designs to choose from.



Specifications

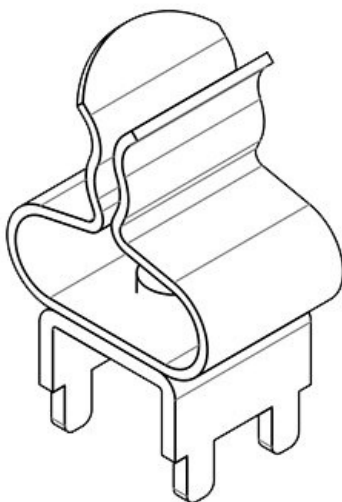
Material	Shield clamp: Spring steel, zinc plated Mounting foot: Brass, tinned
Mounting options	Soldering

Advantages & Benefits

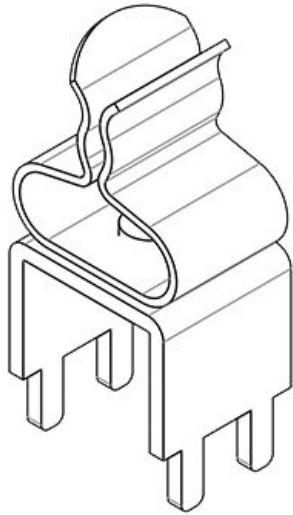
- The spring design requires no adjustments and will permanently maintain contact to the cable shield
- Large contact area

Product Types & Sizes

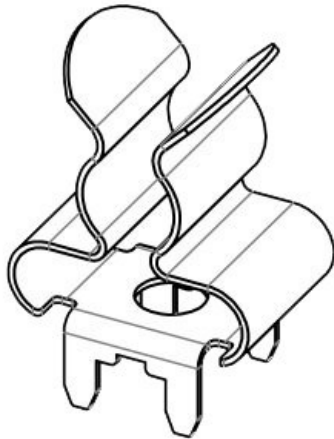
PCB-4-V-6.8|SKL 1.5-3



Part No.	36650.1	Min. shield diam.	1,5 mm
EAN	4251269303	Max. shield diam.	3 mm
Package quantity	10	Length	8 mm
No. of shield clamps	1	Strain relief function	No
Shield clamp type	SKL	Width	11,8 mm
For max. no. of cables	1	Height	20 mm
Shield diameter	1,5 - 3 mm	Mounting height	13,2 mm
		Thickness s	1 mm
		Soldering foot height H	6,8 mm
		Pin S	1,6 mm
		Pin h	2,6 mm
		Grid a x b	5 x 7.2 mm
		Hole size	1.8

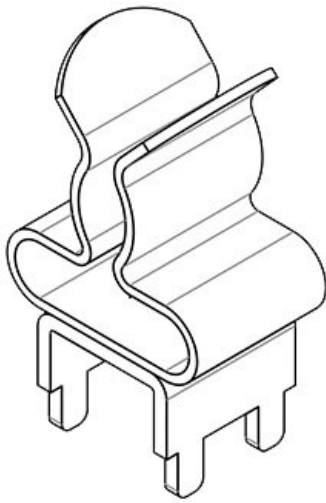


Part No.	36656.1	Min. shield diam.	1,5 mm
EAN	4251269303	Max. shield diam.	3 mm
Package quantity	10	Length	9,2 mm
No. of shield clamps	1	Strain relief function	No
Shield clamp type	SKL	Width	11,8 mm
For max. no. of cables	1	Height	25 mm
Shield diameter	1,5 - 3 mm	Mounting height	21 mm
		Thickness s	1 mm
		Soldering foot height H	12,5 mm
		Pin S	1,6 mm
		Pin h	4 mm
		Grid a x b	5 x 10.1 mm
		Hole size	1.8

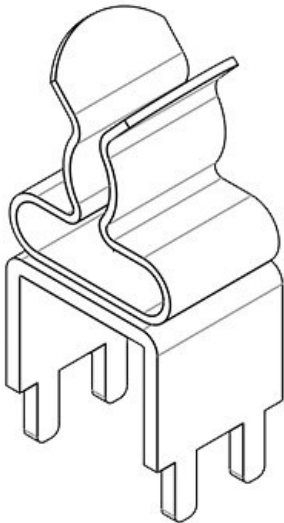


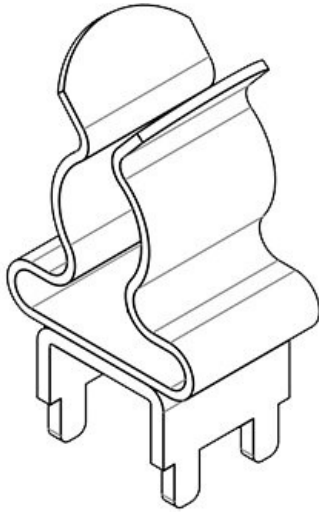
Part No.	36653.1	Min. shield diam.	3 mm
EAN	4251269319	Max. shield diam.	6 mm
Package quantity	25	Length	8 mm
No. of shield clamps	1	Strain relief function	No
Shield clamp type	SKL	Width	11,8 mm
For max. no. of cables	1	Height	17,5 mm
Shield diameter	3 - 6 mm	Mounting height	14,9 mm
		Soldering foot height H	4,4 mm
		Pin S	1,6 mm
		Pin h	2,6 mm
		Grid a x b	5 x 7.2 mm
		Hole size	1.8

Part No.	36650.2	Min. shield diam.	3 mm
EAN	4251269303	Max. shield diam.	6 mm
Package quantity	10	Length	8 mm
No. of shield clamps	1	Strain relief function	No
Shield clamp type	SKL	Width	11,8 mm
For max. no. of cables	1	Height	20 mm
Shield diameter	3 - 6 mm	Mounting height	13,2 mm
		Thickness s	1 mm
		Soldering foot height H	6,8 mm
		Pin S	1,6 mm
		Pin h	2,6 mm
		Grid a x b	5 x 7.2 mm
		Hole size	1.8

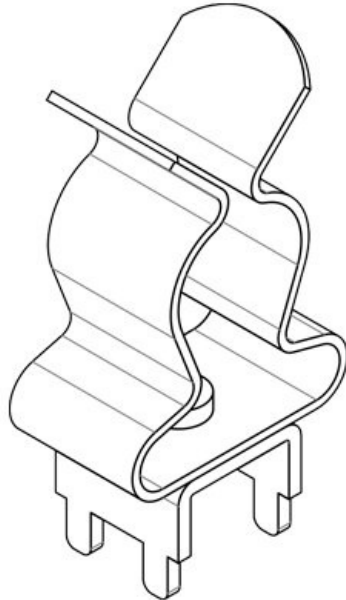


Part No.	36656.2	Min. shield diam.	3 mm
EAN	4251269303	Max. shield diam.	6 mm
Package quantity	10	Length	9,2 mm
No. of shield clamps	1	Strain relief function	No
Shield clamp type	SKL	Width	11,8 mm
For max. no. of cables	1	Height	25 mm
Shield diameter	3 - 6 mm	Mounting height	21 mm
		Thickness s	1 mm
		Soldering foot height H	12,5 mm
		Pin S	1,6 mm
		Pin h	4 mm
		Grid a x b	5 x 10.1 mm
		Hole size	1.8



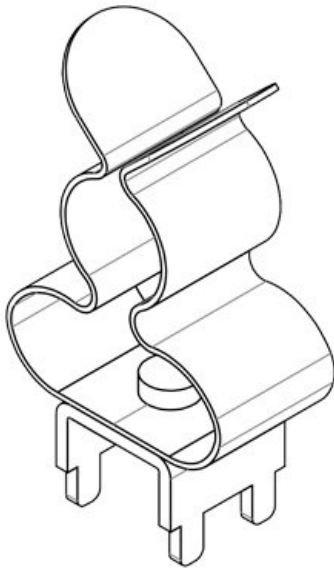


Part No.	36650.3	Min. shield diam.	6 mm
EAN	4251269303	Max. shield diam.	8 mm
Package quantity	10	Length	8 mm
No. of shield clamps	1	Strain relief function	No
Shield clamp type	SKL	Width	11,8 mm
For max. no. of cables	1	Height	22 mm
Shield diameter	6 - 8 mm	Mounting height	15,2 mm
		Soldering foot height H	6,8 mm
		Pin S	1,6 mm
		Pin h	2,6 mm
		Grid a x b	5 x 7.2 mm
		Hole size	1.8



Part No.	36650.4	Min. shield diam.	8 mm
EAN	4251269334	Max. shield diam.	11 mm
Package quantity	10	Length	8 mm
No. of shield clamps	1	Strain relief function	No
Shield clamp type	SKL	Width	11,8 mm
For max. no. of cables	1	Height	27 mm
Shield diameter	8 - 11 mm	Mounting height	20,2 mm
		Soldering foot height H	6,8 mm
		Pin S	1,6 mm
		Pin h	2,6 mm
		Grid a x b	5 x 7.2 mm
		Hole size	1.8

Part No.	37306	Min. shield diam.	3 mm
EAN	4251269333	Max. shield diam.	12 mm
Package quantity	10	Length	8 mm
No. of shield clamps	1	Strain relief function	No
Shield clamp type	MSKL	Width	11,8 mm
For max. no. of cables	1	Height	27 mm
Shield diameter	3 - 12 mm	Mounting height	20,2 mm
		Soldering foot height H	6,8 mm
		Pin S	1,6 mm
		Pin h	2,6 mm
		Grid a × b	5 x 7.2 mm
		Hole size	1.8



Part No.	36656.3	Min. shield diam.	6 mm
EAN	4251269303	Max. shield diam.	8 mm
Package quantity	10	Length	9,2 mm
No. of shield clamps	1	Strain relief function	No
Shield clamp type	SKL	Width	11,8 mm
For max. no. of cables	1	Height	27 mm
Shield diameter	6 - 8 mm	Mounting height	23 mm
		Thickness s	1 mm
		Soldering foot height H	12,5 mm
		Pin S	1,6 mm
		Pin h	4 mm
		Grid a × b	5 x 10.1 mm
		Hole size	1.8

